

ORDERING GUIDE

SYSTEM VA	INPUT/OUTPUT VOLTAGES	OPTIONS	ACCESSORIES				
500 1000 1500 2000	A=120 R=277 Z=Other*	T = Circuit breaker trip alarm R = RS232 S = Summary Dry Contact X = Extended Run Times* M = Remote Meter Panel A = Remote Summary Alarm Panel N = Normally Off	<table border="0"> <tr> <td>Modem for RS232</td> <td>Part # T-MODEM-01</td> </tr> <tr> <td>Inverter Wall Mount Bracket**</td> <td>T-WMB-01</td> </tr> </table>	Modem for RS232	Part # T-MODEM-01	Inverter Wall Mount Bracket**	T-WMB-01
Modem for RS232	Part # T-MODEM-01						
Inverter Wall Mount Bracket**	T-WMB-01						

* Contact factory

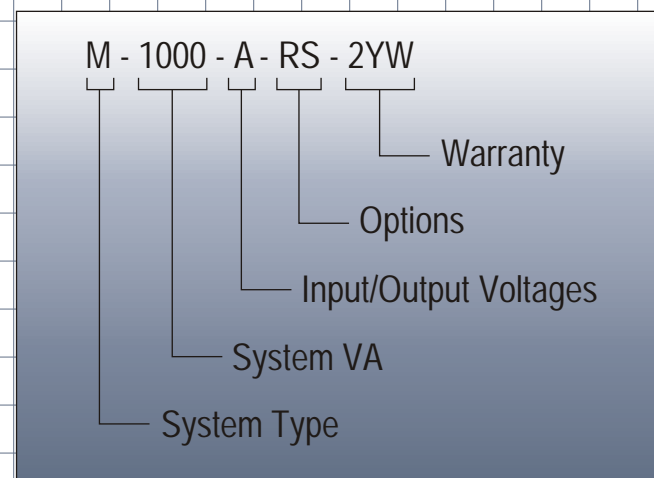
** Only needed to mount inverter in horizontal position

WARRANTY OPTIONS:

2YW = When buying a Start-Up, customer gets an additional year of parts and labor with warranty

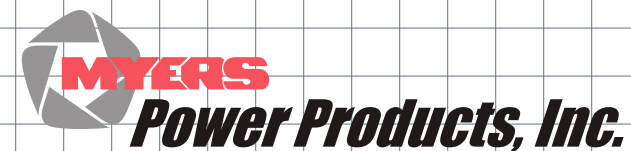
5YP = When buying a 5-year Service Plan, Start-Up is included.

SAMPLE ORDERING SEQUENCE



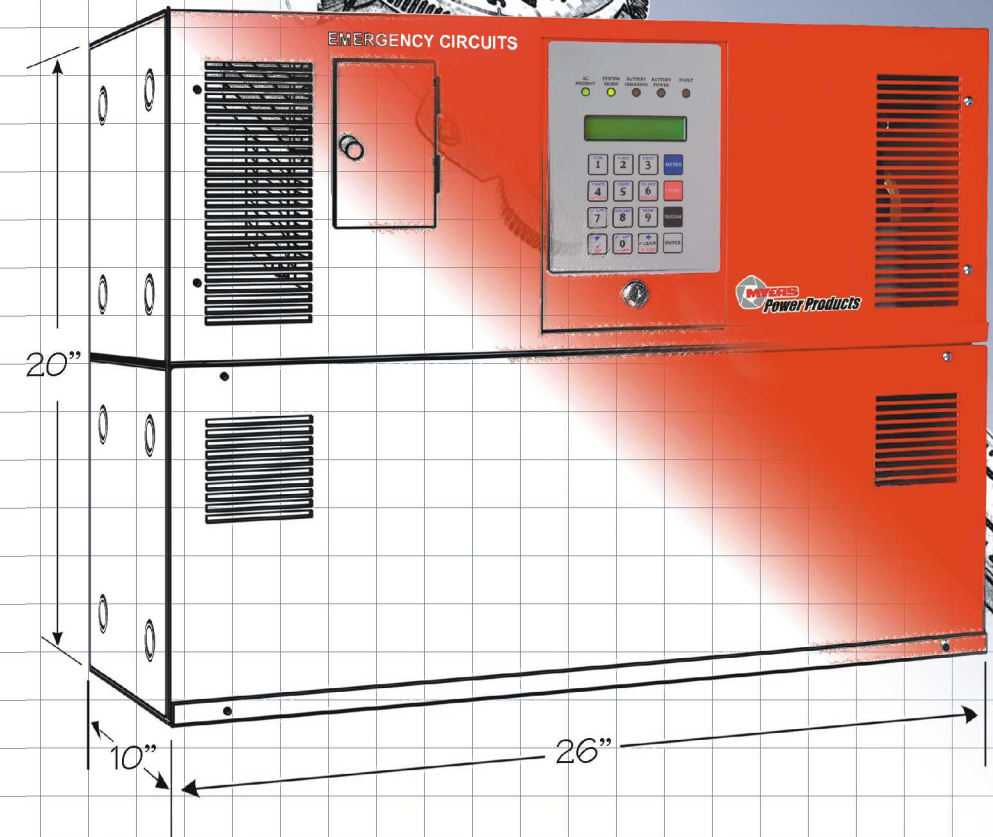
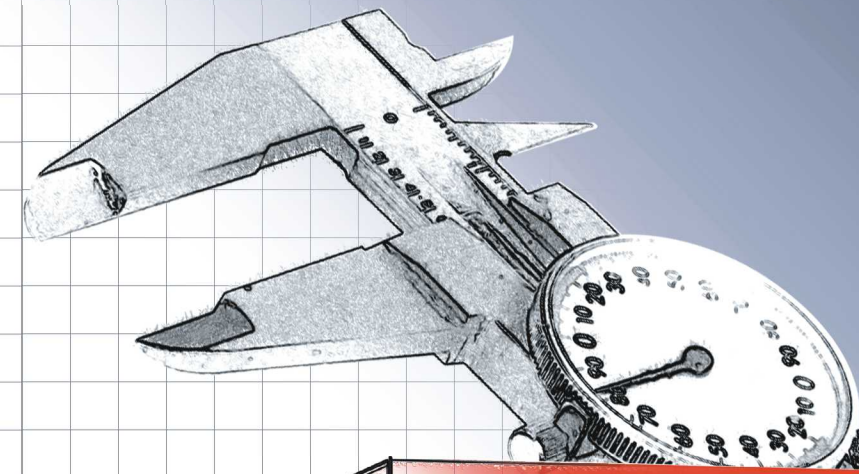
NOTE: AIA specifications are available at www.myerspowerproducts.com

Your Myers Power Products Representative is:

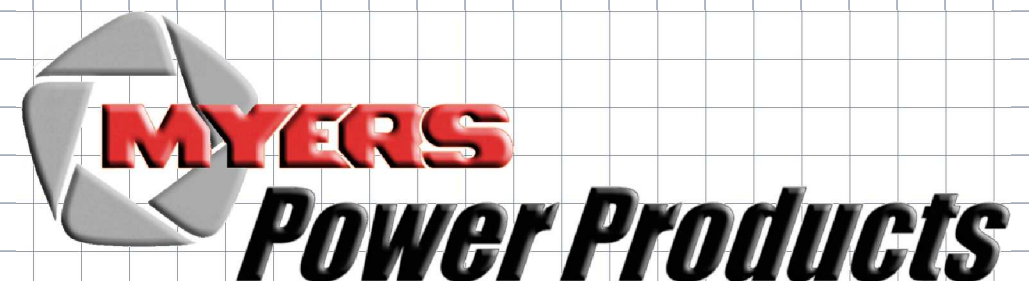


2000 Highland Avenue
Bethlehem, PA 18020
Phone (610) 868-3500
Fax (610) 868-8686

www.myerspowerproducts.com



ILLUMINATOR CM



THE ILLUMINATOR CM

The Illuminator Series CM is a compact, modular emergency lighting inverter. Typical applications include all types of HID fixtures, quartz restrike, fluorescent, incandescent, and low voltage lighting. This series is well suited for outdoor emergency egress lighting, medium size offices, and warehouses. The modular design and low MTTR ensure easy maintenance and field upgradability.

STANDARD FEATURES



- PWM/MOSFET Inverter Technology for high efficiency and low THD
- UL 924 Listed and meets or exceeds the requirements of OSHA for emergency lighting and power. NFPA70, NFPA101, NFPA110, UBC, and SBCCI and New York City approved
- 98% efficient in standby mode means no fan for cooling
- Compatible with HID, Fluorescent, Incandescent, and Electronic Low Voltage lighting
- Maintenance-free, sealed lead calcium valve regulated lead acid batteries
- Field upgradable from 500VA to 2000VA by additional battery modules
- Protection Circuit breakers are Battery, Input and Output
- Microprocessor controlled, 2x20 character display with touch pad controls front panel interface
- Programmable setpoints are password controlled with user and service levels

STANDARD ALARMS



- Output
- High Temp
- Near Low Battery
- Inverter
- Load Reduction
- Low Voltage
- Charger
- Overload
- High Voltage
- Low Battery
- Overload Shutdown

STANDARD METERING

- AC Voltage Input
- AC Voltage Output
- AC Current Output
- Battery Voltage
- System Days
- Date
- Inverter Minutes
- Ambient Temperature
- Battery Current
- Inverter Watts
- VA Output

DIAGNOSTIC FEATURES

- User programmable with password protection for alarms and diagnostics
- Self testing and Diagnostic with Event, Test and Alarm Logs
- Standard Logs: Alarm Log (75), Event Log (75) Test Log (50)

CONSTRUCTION

- Small footprint, both inverter and battery unit each measure 26"(W) x 10"(H) x 10"(D).
- Floor or wall-mountable.
- 16 AWG (.059") steel construction with powder coat surface
- Modular design allows separation of Inverter and Battery modules
- Electrical knock-outs for easy contractor connection and installation
- Circuit Breaker and Fuse access panel for easy routine maintenance



UNIT SIZES WATTS=VA	BATTERY CABINETS/ STRINGS REQUIRED	90 MINUTE AVERAGE BATTERY CURRENT	BATTERY WEIGHT W/O CABINET (LBS.)	SYSTEM WEIGHT (LBS.)	VOLTAGE INPUT (VOLTS)	*CURRENT INPUT (AMPS)	CURRENT OUTPUT (AMPS)
500	1	13.5 ADC	107	206	120/277	5.2/1.80	4.16/1.80
1000	2	26.5 ADC	214	335	120/277	10.5/3.61	8.33/3.61
1500	3	40 ADC	321	464	120/277	15.62/5.42	12.5/5.41
2000	4	52 ADC	428	592	120/277	20.8/7.22	16.66/7.22

*Current input reflects system at maximum charge current plus maximum load current

ELECTRICAL SPECIFICATIONS

INPUT

- Voltage** 120 or 277 VAC, Two wire plus ground, +10/-15%
- Frequency** 60 Hz, +/-3 Hz
- Synchronizing Slew Rate** 1 Hz per Second
- Protection** Input Circuit Breaker

OUTPUT

- Voltage** 120 or 277 VAC, Two wire plus ground
- Current Crest Factor** 2.8 = peak/rms
- Voltage THD** <3% THD for Linear Load
- Output Frequency** 60 Hz +/- 0.05 Hz Crystal controlled
- Inverter Overload** 115 % for 5 Minutes
- Voltage Regulation** +/-3% for +/- 25% load step change
- Protection** Output Circuit Breaker

BATTERY

- Type** Sealed Lead Calcium VRLA
- Protection** Battery Circuit Breaker
- String Voltage** 48VDC for all models

ENVIRONMENTAL

- Altitude** <10,000 feet without derating
- Operating Temperature** 20 to 30 degrees Centigrade
- Storage Temperature** -20 to 70 Degrees Centigrade (Electronics Only)
- Relative Humidity** <95% (non-condensing)

PHYSICAL

- Electronics Enclosure** Dimensions = 26"(W) x 10"(H) x 10"(D)
Weight = 77 lbs (35 kg.)
- Battery Enclosure** Dimensions = 26"(W) x 10"(H) x 10"(D)
Weight = 22 lbs (10 kg.) per module w/o batteries

OPTIONS

- Circuit Breaker Trip Alarm
- Normal Off Output
- RS-232
- Summary Alarm Dry Contact
- Extended Runtime
- Remote Meter Panel
- Remote Summary alarm panel
- Multiple Voltages*

* Additional enclosure(s) required; contact factory for details.